

FEATURES

- ▶ Easy access oil drain line C/W ball valve
- ▶ Dual fuel scrubber
- ▶ Gas inlet valve C/W lockable handle
- ▶ Easy access cover for coolant top up
- ▶ 12V alternator & belt guard
- ▶ Murphy Oil Level Sight Glass C/W shut down controller
- ▶ Battery disconnect C/W safety lockout & Voltage Indicator



50KW GENERATOR

- 50kW Generator Package equipped with the dependable 5.7L Origin Engine

- Ability to function on both Natural Gas (casing gas) & Propane to give the flexibility to operate this unit on any lease

- Small footprint & light weight means it can be placed almost anywhere to provide reliable power wherever you need

- Paired with CEG's Maintenance & Service programs this completes an unparalleled level of service & dependability in the industry

CONTROL PANEL

- Oil Pressure
- Engine Temperature
- Fuel & Oil Level
- Hour Meter
- RPM
- Real Time Clock W/ Time/Date
- 3 Phase AC Volts, Amps & Hz (generators)

OPTIONS

- 24VDC Brushless Alternator
- Extended Life Oil Reservoirs
- Hospital Grade Muffler (noise suppression)
- Open or Enclosed Units



creamco.ca

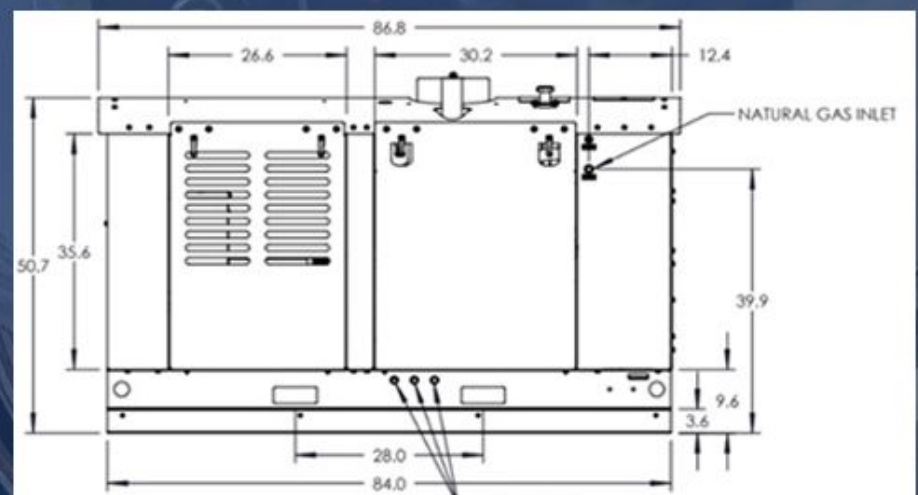
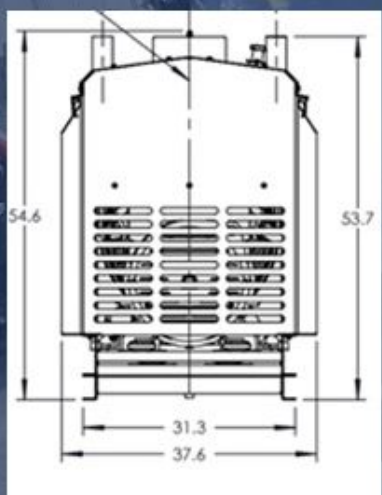


Websales@creamco.ca



5.7L Natural Gas POWER CURVE

Engine Speed (RPM)	Intermittent Torque (ft-lb)	Continuous Torque (ft-lb)	Intermittent HP (BHP)	Continuous HP (BHP)
2400	355	293	162	134
2200	364	300	152	125
2000	371	306	141	116
1800	379	312	130	107
1600	387	319	118	97





NEW
Enclosed & Insulated

